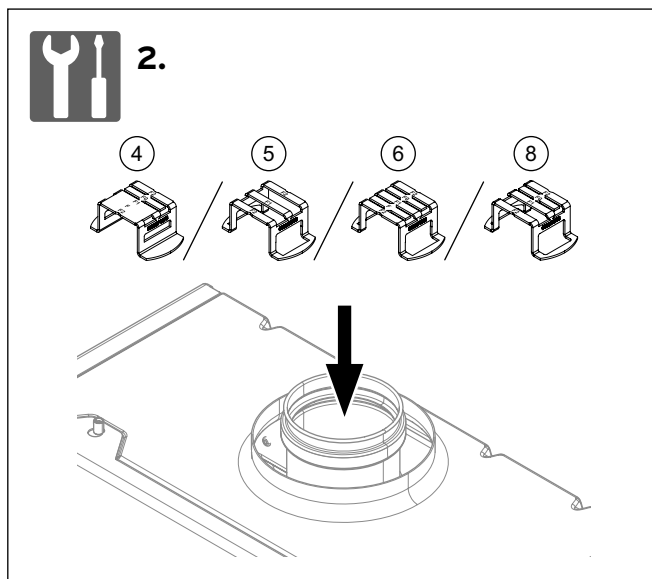


17L		🔥	
🧪	←[m]→ 📏	H/Es	Ei
60/100	1-4	⑤	⑥
	5	⑥	⑥
80/125	1-4	⑧	⑥
	5-9	⑤	⑥
	10	④	④
80/80	1-14	⑥	⑥
	15	④	④



Manufacturer

Vaillant GmbH
 Berghauser Str. 40 ■ D-42859 Remscheid
 Tel. +49 21 91 18-0 ■ Fax +49 21 91 18-28 10
 www.vaillant.de ■ info@vaillant.de



0020286633_02

0020286633_02 INT 112018 - Subject to change