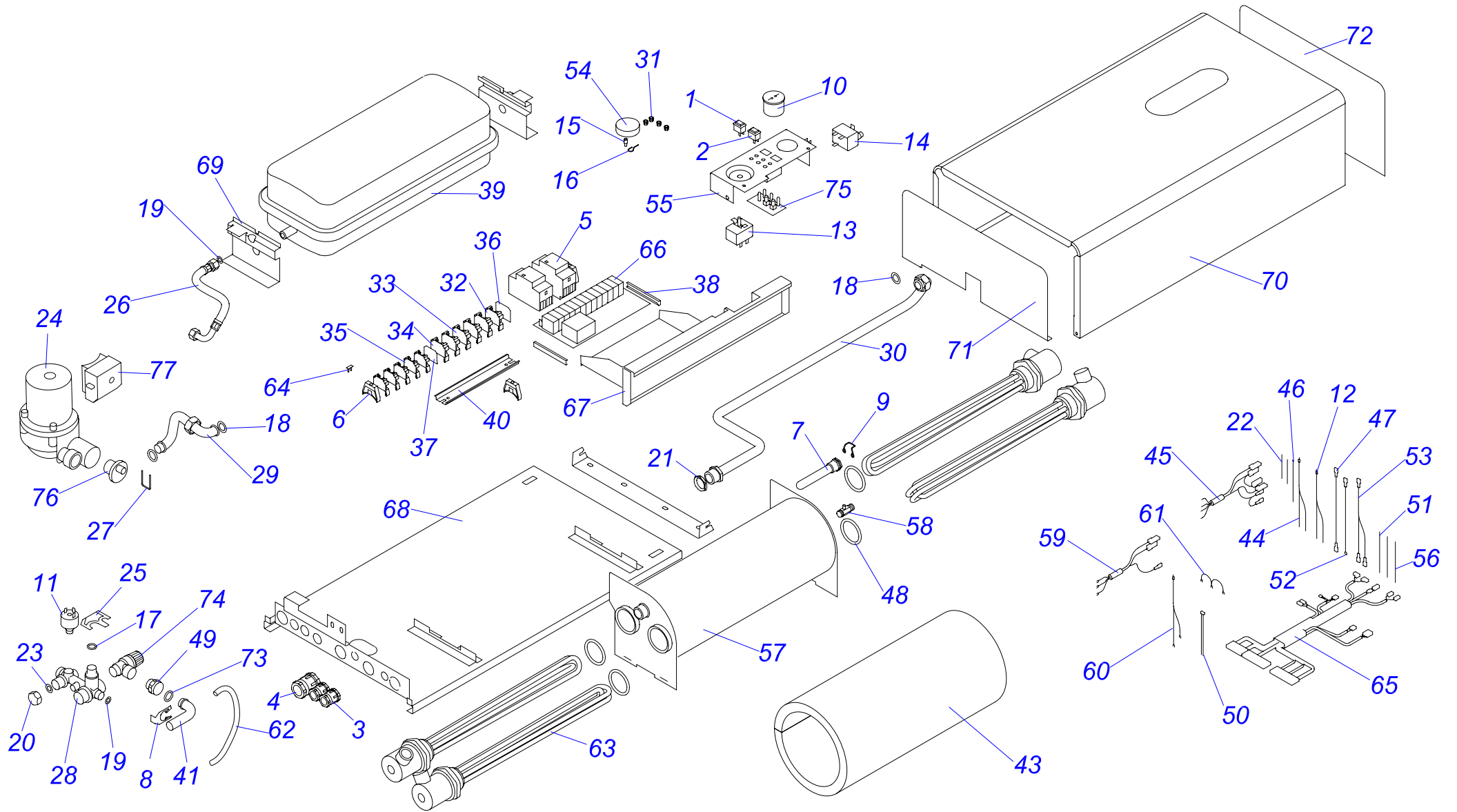


6,9,12,15,18,21,24 K11



6,9,12,15,18,21,24 K 11

No.	Item No.	Description	No.	Item No.	Description	No.	Item No.	Description
1	0020033182	Glim lamp - orange	29	0020034803	Tube inlet HW	56	0020034980	Wire E106v
2	0020033184	Glim lamp - transparent H858HE	30	0020034804	Tube outlet HW	57	0020034969	El.boiler heat exch. 9-12kW 1
3	0020033218	Bushing AL GP 13,5	31	0020034805	Diode sleeve LD 500		0020044555	El.boiler heat exch. 12-18kW 1
4	0020033220	Bushing AL GP 21	32	0020034806	Clamp VK3 10/10 - grey		0020034970	El.boiler heat exch. 21-24kW 1
5	0020025215	Contacto ISCH 24A (for AC-1)	33	0020034807	Clamp VK3 10/10 - blue	58	0020034971	Drain valve 1/4"-II.
6	0020033261	Terminal cap RSD 88	34	0020034808	Clamp VK3 10/10 - groudng	59	0020034979	Harness E15-24K11v
7	0020027662	Pit for 3 sensors	35	0020034809	Clamp VK3 2,5/5 - grey		0020035096	Harness E9-12K11v2
8	0020033344	Clip for exchanger SD	36	0020034810	Clamp board finish-10mm grey	60	0020034981	Wire E107v
9	0020033365	Spring of safety sensor	37	0020034811	Clamp board finish-5mm grey	61	0020034982	Wire E112
10	0020027625	Thermomanometer	38	0020034813	Printed circuit panel strip	62	0020044589	Silicon hose-7/10
11	0020027571	Pressure sensor	39	0020027624	Expansion vessel 10L-W	63	0020027640	Heating body NM 3kW with cover
12	0020034837	Wire E105	40	0020034814	Panel strip DIN TS 35-020		0020027641	Heating body 6 kW
13	0020025281	Thermostat slow	41	0020034816	Tube-spillway	64	0020043713	Interconnection 12 pole
14	0020025286	Emergency thermostat	43	0020034817	Exchanger el.boiler insulation	65	0020035068	Wire-E9-24K11 v2
15	0020033444	Limit screw	44	0020034823	wire E104	66	0020027646	Board switching ELKOT4
16	0020033445	Limiting spring	45	0020035096	Harness E9-12K11v2		0020027647	Board switching ELKOT4-15/18kW
17	0020033467	O - ring 18x3,5		0020034825	wire E15-18K11		0020027648	Board switching ELKOT4-9/12kW
18	0020027665	Seal 24x15x2		0020034824	wire E21-24K11	67	0020043851	Electric panel console
19	0020033473	Seal 15x8x2	46	0020034826	wire E103	68	0020035261	Frame, supporting 6-24K,KV11-SP
20	0020035606	Blind flange 1/2" - v.12	47	0020034827	wire E102	69	0020044567	Exp. vessel holder, unpaint.
21	0020033624	Matrix 3/4" low	48	0020034829	O - ring 45x5	70	0020035262	Cover, el.boiler 6-24K11 - SP
22	0020033905	Wire Q027 VJ	49	0020034872	Rib of over flow pipe	71	0020035541	Front cover blinder D, white
23	0020033932	O - ring AFM 34 18x10x2	50	0020034906	Wire E109	72	0020035540	Front cover brinder U
24	0020023217	Pump NFHUL 15/5-1-CRF-12	51	0020034907	Wire E110	73	0020043217	O - ring for exchanger SD
25	0020034088	Pump clip	52	0020034913	Wire E111	74	0020025271	Saf. valve 300kPa1/2"-1/2"out
26	0020034104	Hose arm. 3/8"-3/8"-elbow 30cm	53	0020034957	Wire E101d	75	0020035599	Operation board ELKOT1 V5
27	0020034120	Pump clip	54	0020034822	Control knob - D3	76	0020035044	Air valve-pump
28	0020034676	Block 24KXO15-inlet	55	0020034815	Electric panel	77	0020027645	El. box for pump WILO