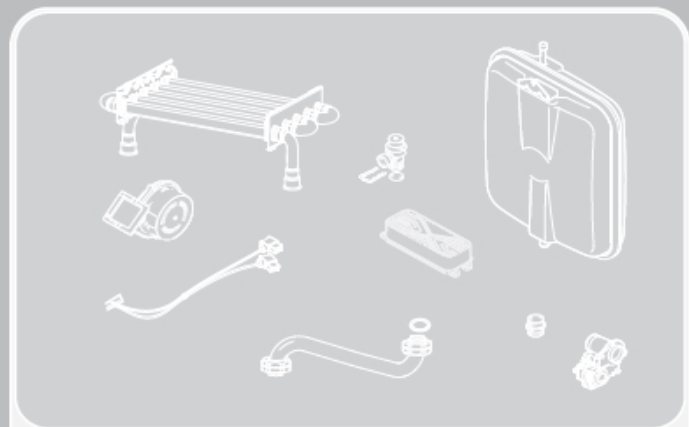


• Wall-hung boilers



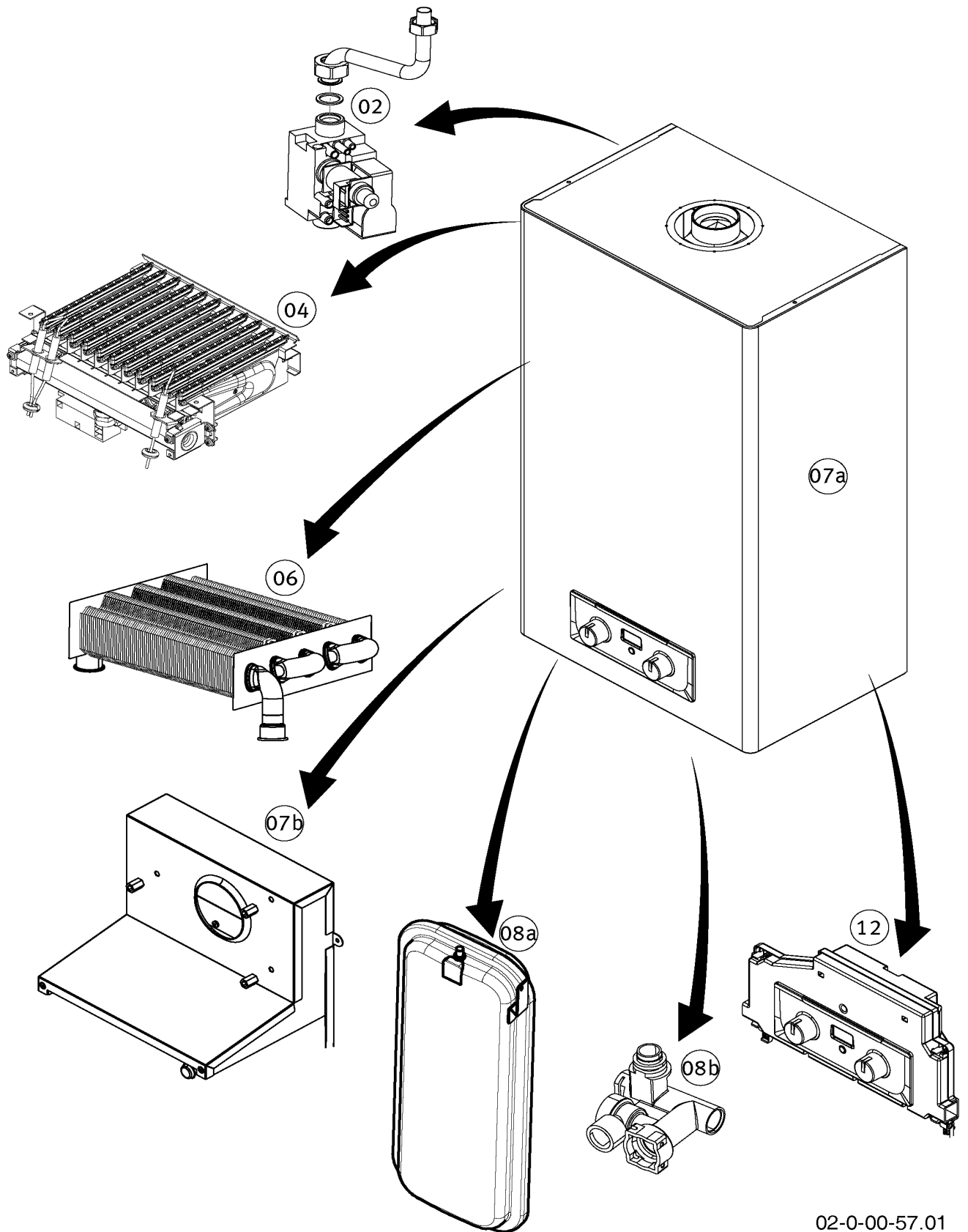
**Lynx HK 11 kW,
Lynx HK 24 kW,
Lynx HK 28 kW**

Content

General view of sheet	Lynx HK 11 kW, Lynx HK 24 kW, Lynx HK 28 kW	Page 2
02 Gas section		Page 4
04 Burner		Page 6
06 Heat exchanger (11/24 kW until 11/11/2014)		Page 8
06 Heat exchanger (11/24 kW since 12/11/2014, not for 28 kW)		Page 10
07a Casing parts		Page 12
07b Casing parts		Page 14
08a Hydraulic parts		Page 16
08b Hydraulic parts		Page 18
12 Control box		Page 20

General view of sheet

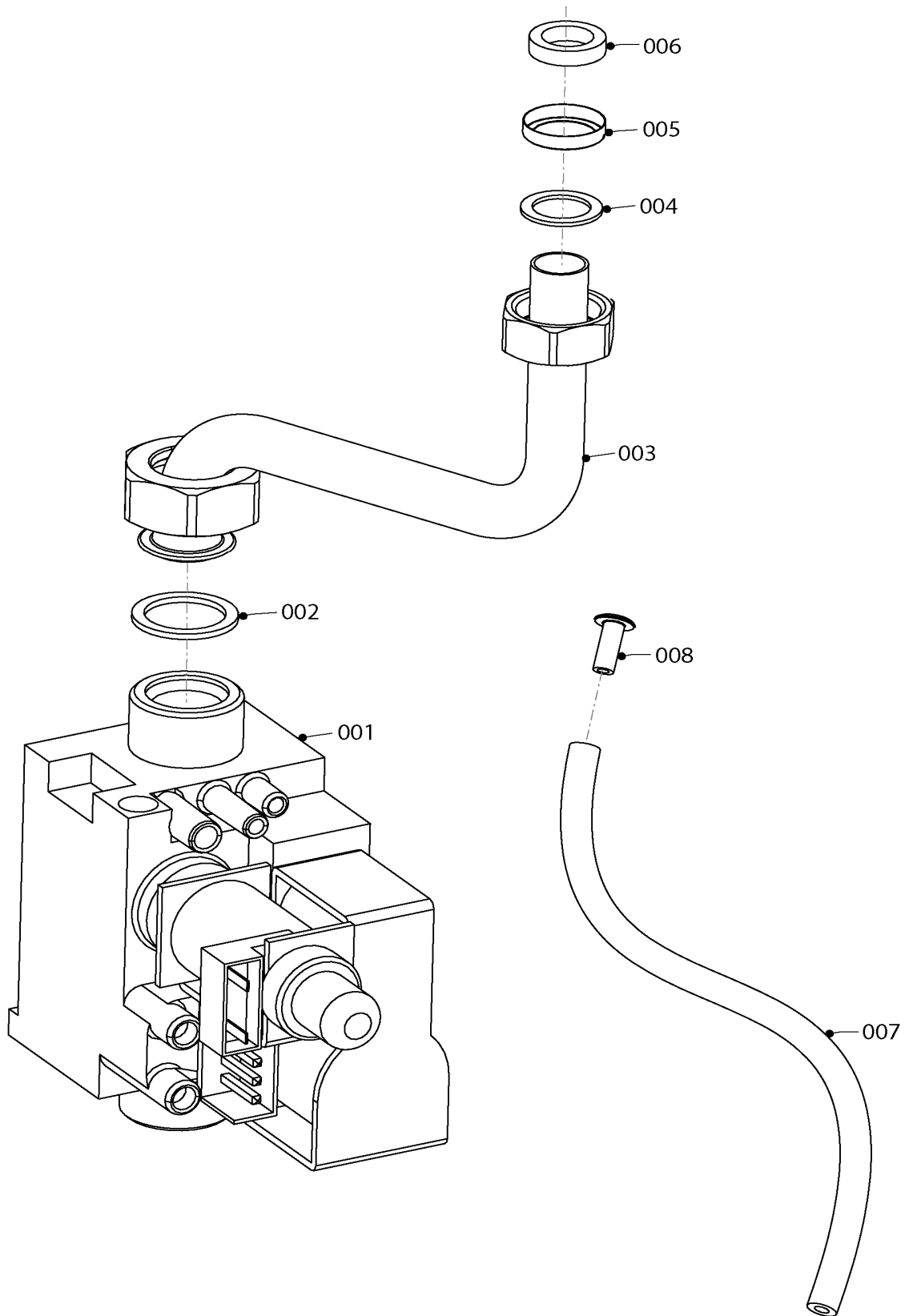
Lynx HK 11 kW, Lynx HK 24 kW, Lynx HK 28 kW



02-0-00-57.01

02 Gas section

Lynx HK 11 kW, Lynx HK 24 kW, Lynx HK 28 kW



02-0-02-04

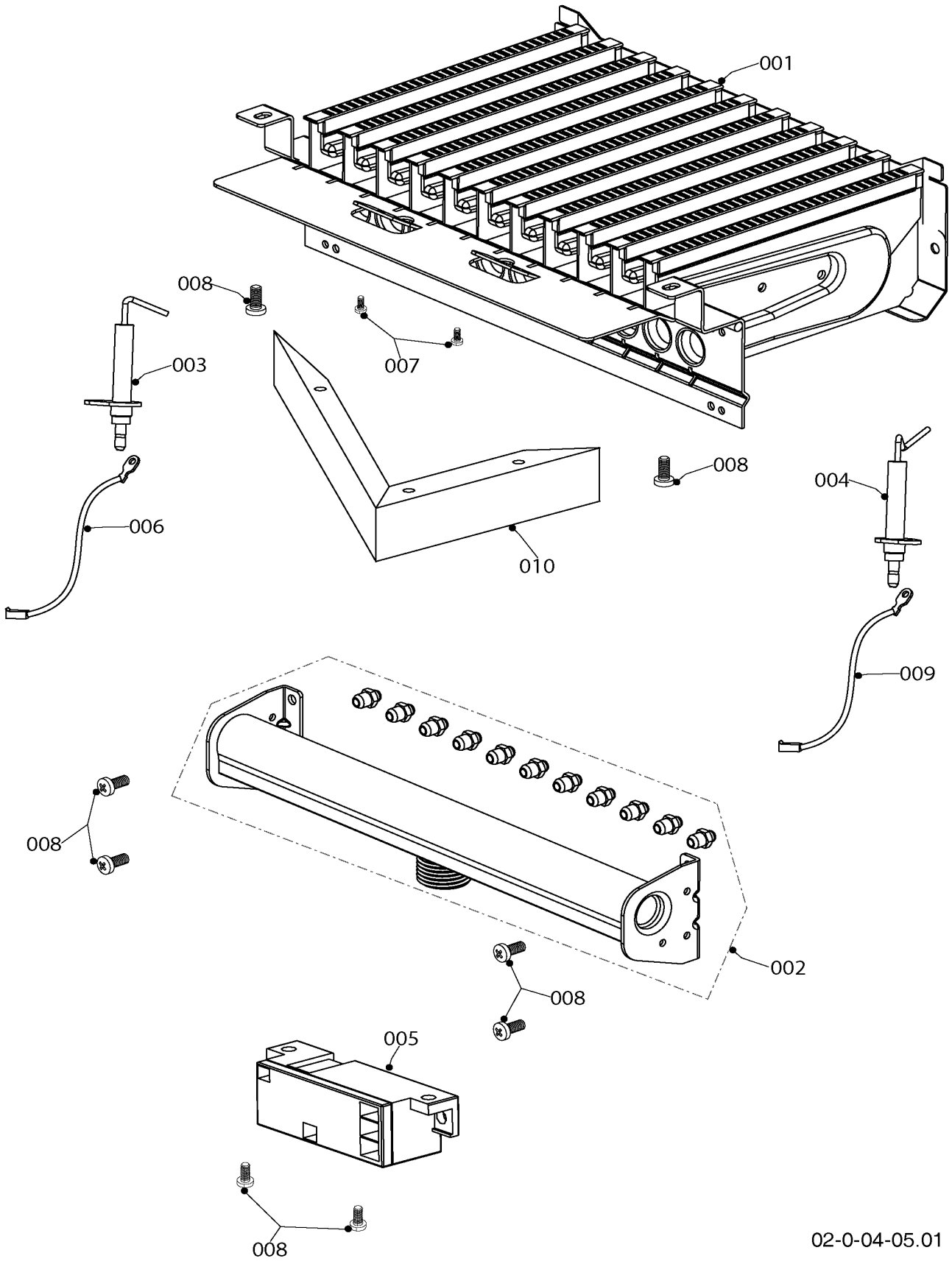
02 Gas section

Lynx HK 11 kW, Lynx HK 24 kW, Lynx HK 28 kW

Pos.	Art.-No	Part	Type, note
		0200204	
001	0020118636	Gas valve	
002	0020118627	Gasket (PK10)	
003	0020118601	Gas pipe	
004	0020118623	Gas pipe stamp (PK10)	
005	0020118629	Gas pipe gasket housing (PK10)	
006	0020118708	Nitryl gasket (gas pipe)	
007	0020119798	SILICONE HOSE APS -18cm	
008	D003201539	Rivet (rb48120s)	

04 Burner

Lynx HK 11 kW, Lynx HK 24 kW, Lynx HK 28 kW



02-0-04-05.01

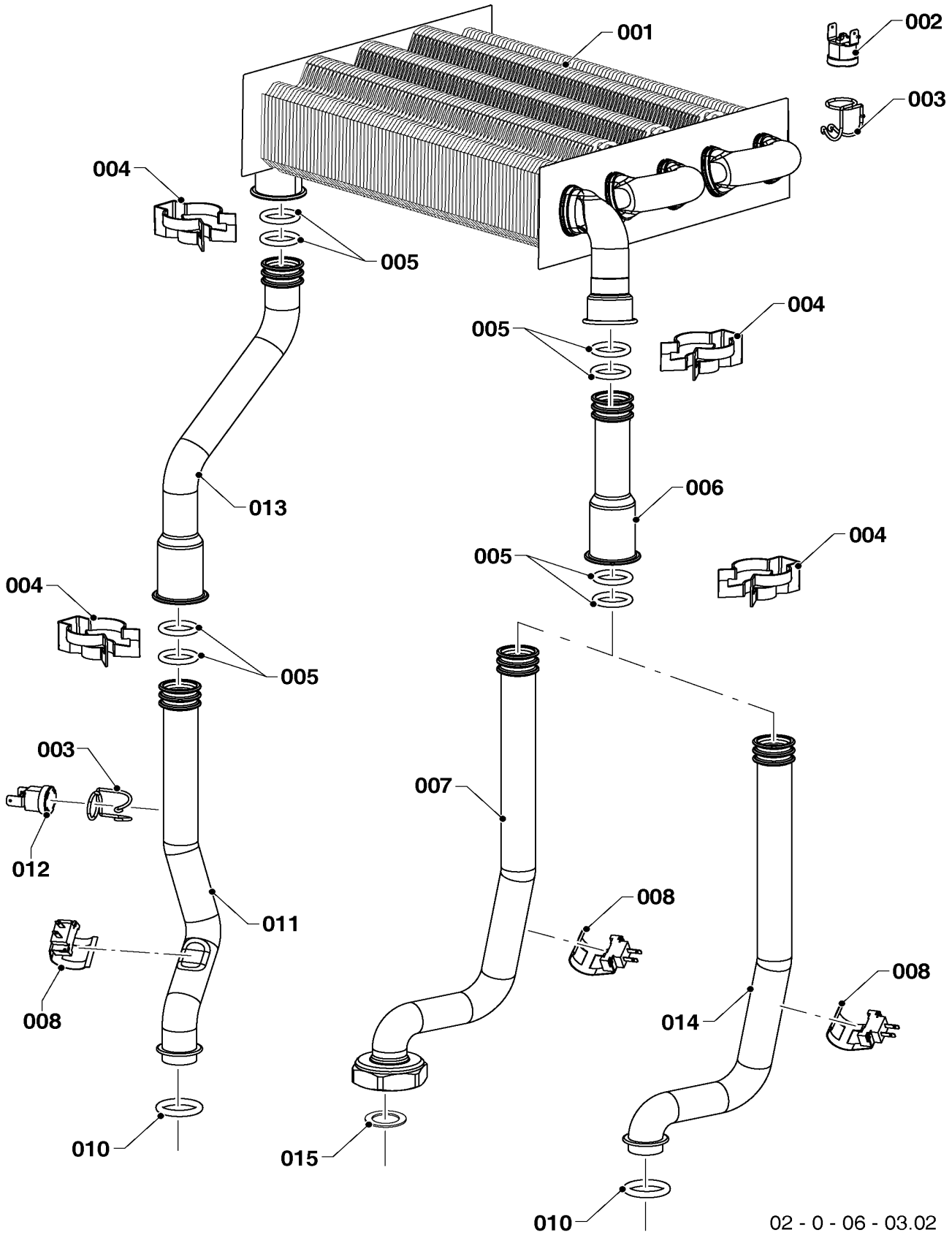
04 Burner

Lynx HK 11 kW, Lynx HK 24 kW, Lynx HK 28 kW

Pos.	Art.-No	Part	Type, note
		0200405	
001	0020118596	Burner 24 kw	11/24 kW
001	0020118597	Burner 28 kw	28 kW
002	0020118609	Manifold(collector+injector) lpg-24	11/24 kW, LPG
002	0020118610	Manifold(collector+injector) lpg-28	28 kW, LPG
002	0020118591	Kollektör ve enjektör 24kw dg-13 mbar	11/24 kW, NG, 13 replaced by 0020118607
002	0020118607	Manifold(collector+injector) ng-24	11/24 kW, NG
002	0020118592	Kollektör ve enjektör 28kw dg-13 mbar	28 kW, NG, 13 replaced by 020118608
002	0020118608	Manifold(collector+injector) ng-28	28 kW, NG
003	0020118685	Ignition electrode	
004	0020118686	Ionization electrode	
005	0020118700	Ignition transformer	
006	0020118743	Earthing terminal ignition transformer	
007	0020118621	Screw 3.5 x 9.5 mm (PK10)	
008	0020118709	Screw, 4 x 9.5 (PK10)	
009	0020118776	Ionisation electrode cable	
010	0020176757	Baffle, Atron-Lynx 24KW V Diverter Sheet	

06 Heat exchanger (11/24 kW until 11/11/2014)

Lynx HK 11 kW, Lynx HK 24 kW, Lynx HK 28 kW



02 - 0 - 06 - 03.02

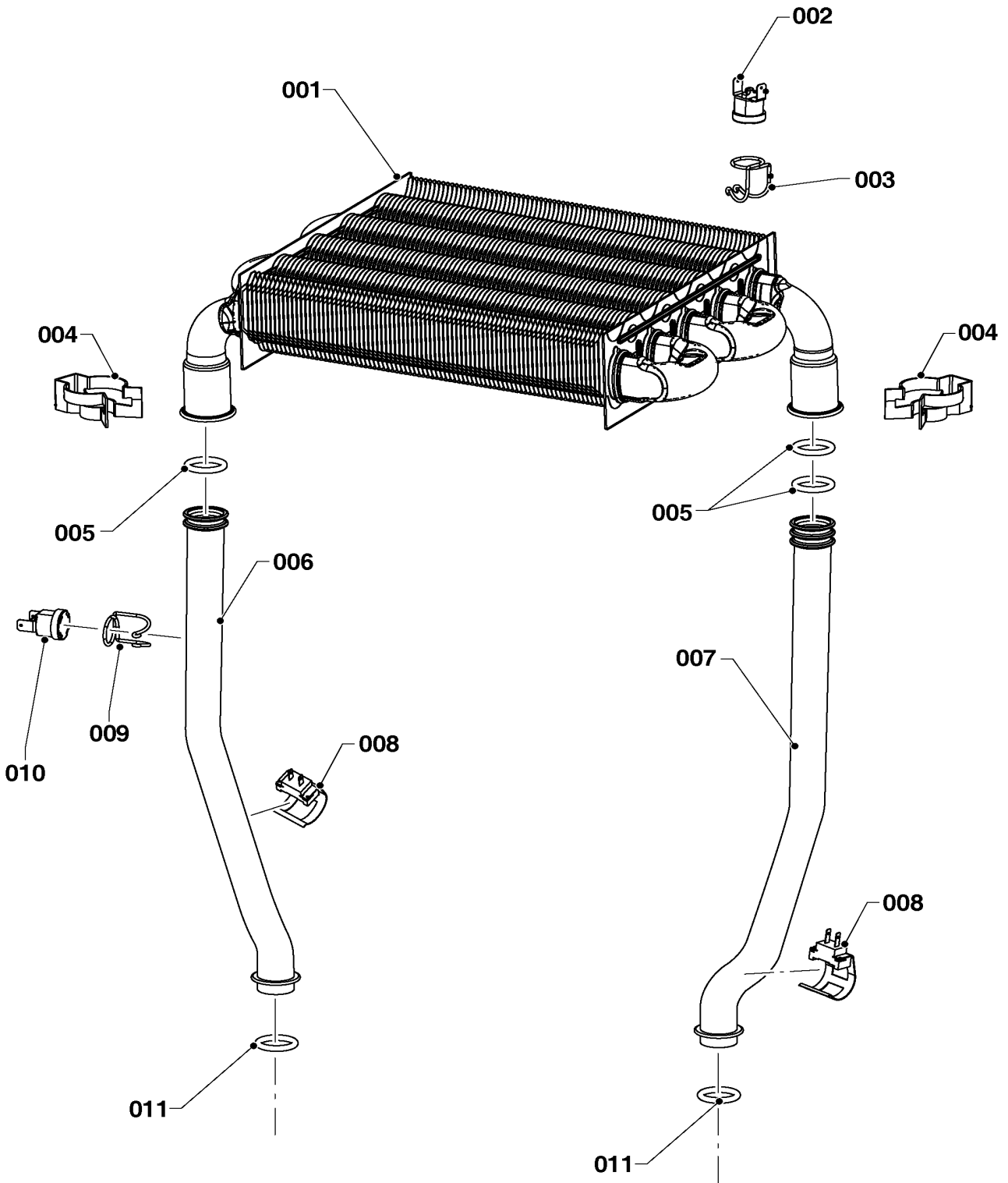
06 Heat exchanger (11/24 kW until 11/11/2014)

Lynx HK 11 kW, Lynx HK 24 kW, Lynx HK 28 kW

Pos.	Art.-No	Part	Type, note
		0200603	
001	0020119766	Heat Exchanger, Atron - Lynx 24 kW	11/24 kW
001	0020118599	Heat exchanger 28 kw	28 kW
002	0020118652	Overheat safety thermostat - 130 c	
003	0020118644	Clip - 3003200379 overheat stat (PK10)	
004	0020118663	Clip (PK10)	
005	0020118658	O-ring, heat exchanger (PK10)	
006	0020119600	Pipe, pump connection, Atron 24-28kW Sho	
007	0020119769	Pipe, Atron-Lynx Pump Inlet 24 kW	11/24 kW
008	0020119602	Sensor - NTC Surface Type -5C to 105C	
010	0020118671	O-ring, (PK10)	
011	0020118602	Heat exc.-3 way valve conn.pipe 24-28	heat exchanger/3-way valve od 01/2014 pre 11/24 kW replaced by 0020119768
011	0020119768	Pipe, CH flow (3WV), Atron-Lynx 24 kW	11/24 kW
012	0020118653	Limit thermostat 98/70 c (bott/left)	98/70 °C
013	0020119767	Pipe, CH flow, Atron-Lynx 24 kW	11/24 kW
014	0020119789	Pipe, pump connection,Lynx-Xinhu,24kW	11/24 kW
014	0020119601	Pipe, pump connection, Atron, 28 kW	28 kW
015	0020118627	Gasket (PK10)	

06 Heat exchanger (11/24 kW since 12/11/2014, not for 28 kW)

Lynx HK 11 kW, Lynx HK 24 kW, Lynx HK 28 kW



02 - 0 - 06 - 07

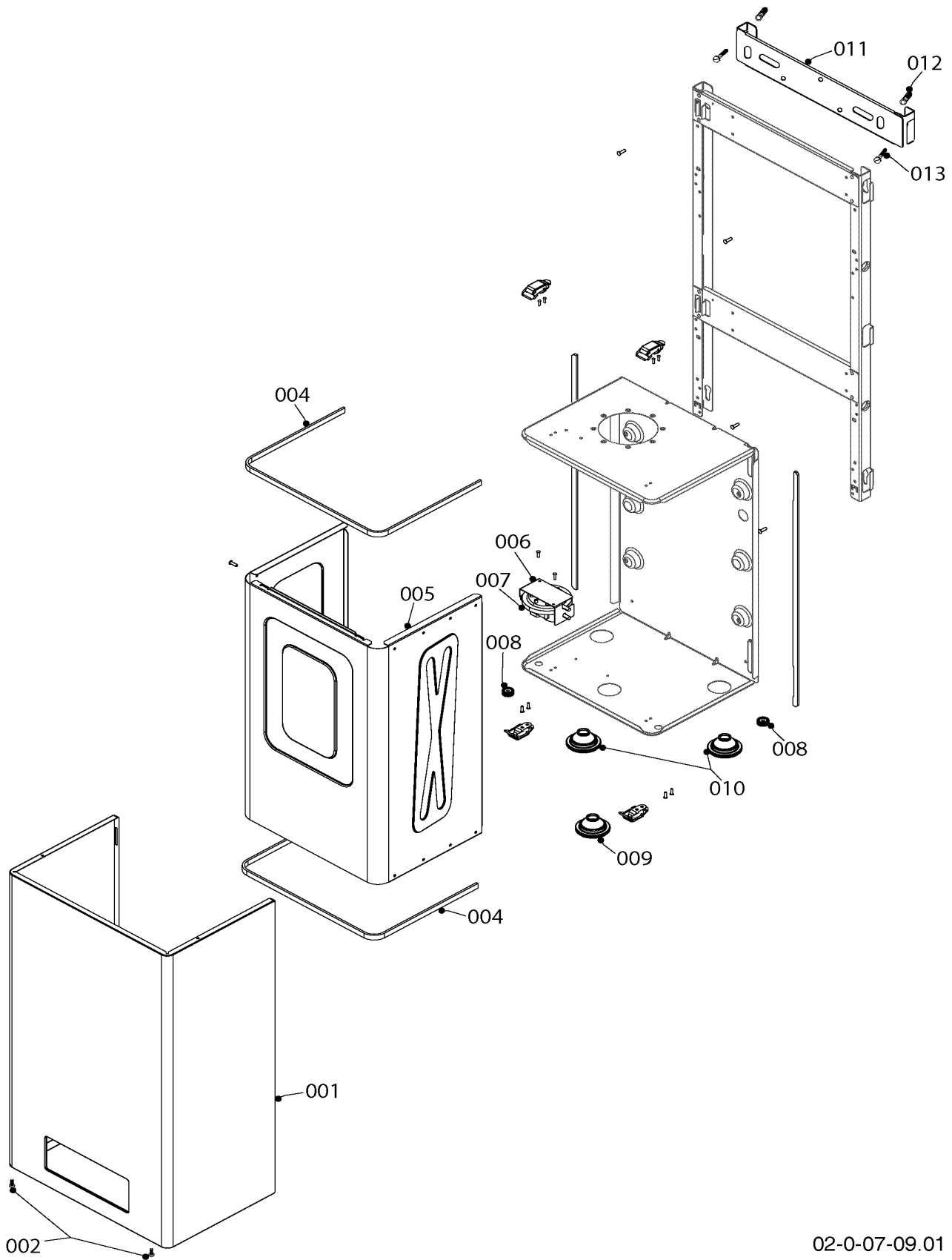
06 Heat exchanger (11/24 kW since 12/11/2014, not for 28 kW)

Lynx HK 11 kW, Lynx HK 24 kW, Lynx HK 28 kW

Pos.	Art.-No	Part	Type, note
		0200607	
001	0020120231	Heat Exchanger, 24 KW 5Pass Single Pipe	
002	0020118652	Overheat safety thermostat - 130 c	
003	0020118644	Clip - 3003200379 overheat stat (PK10)	
004	0020118663	Clip (PK10)	
005	0020118658	O-ring, heat exchanger (PK10)	
006	0020120232	Pipe, HEx Outlet Atron 24 KW	
007	0020120233	Pipe, Xinhua Pump 24kw	
008	0020119602	Sensor - NTC Surface Type -5C to 105C	
009	0020118631	Clip, limit thermostat (PK10)	
010	0020118653	Limit thermostat 98/70 c (bott/left)	
011	0020118671	O-ring, (PK10)	

07a Casing parts

Lynx HK 11 kW, Lynx HK 24 kW, Lynx HK 28 kW



02-0-07-09.01

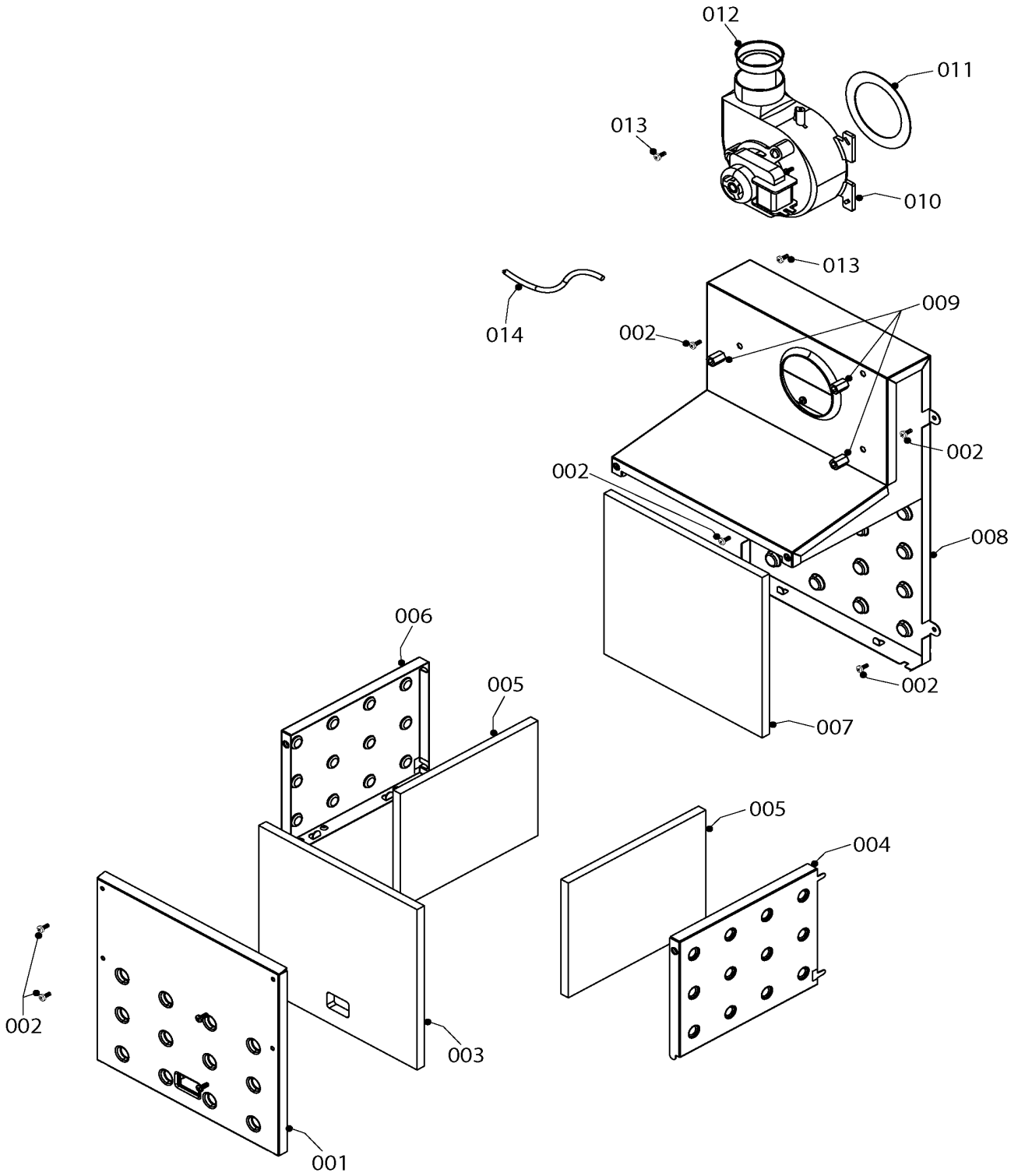
07a Casing parts

Lynx HK 11 kW, Lynx HK 24 kW, Lynx HK 28 kW

Pos.	Art.-No	Part	Type, note
		0200709	
001	0020118603	Front panel 24 kW	11/24 kW
001	0020118604	Front panel 28 kW	28 kW
002	0020118709	Screw, 4 x 9.5 (PK10)	
004	0020118693	Herm.cabin front cover leak. gasket-24kw	11/24 kW
004	0020118694	Herm.cabin front cover leak. gasket-28kw	28 kW
005	0020118605	Hermetic cabin front cover 24 kw	11/24 kW replaced by 0020134746
005	0020134746	Casing front, NB END , 24kW	11/24 kW
005	0020118606	Hermetic cabin front cover 28 kw	28 kW
006	0020118632	Bracket for aps	
007	0020118741	Air pressure switch (40/25 pa)	11/24 kW
007	0020118742	Air pressure switch (65/50 pa)	28 kW
008	0020118625	Gasket (PK10)	electrode ionisation
009	0020118645	Grommet - (for water pipe) pk10	gas
010	0020118660	Grommet - large pk5	
011	0020118750	Hanging bracket 24 kW	11/24 kW
011	0020118751	Hanging bracket 28 kW	28 kW
012	0020118633	Raw plugs (PK10)	
013	0020118622	Screw (PK10)	

07b Caseing parts

Lynx HK 11 kW, Lynx HK 24 kW, Lynx HK 28 kW



02-0-07-10.01

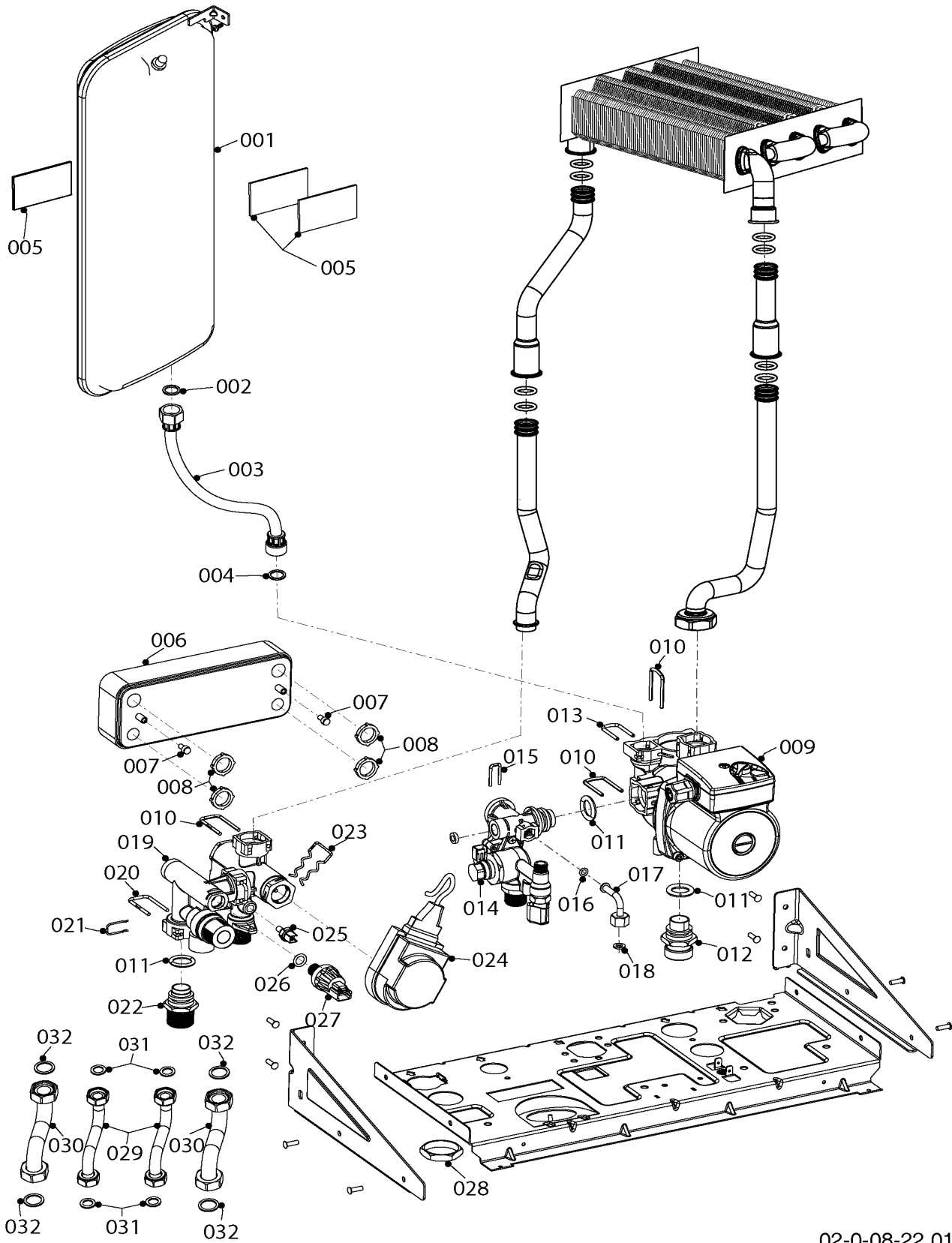
07b Casing parts

Lynx HK 11 kW, Lynx HK 24 kW, Lynx HK 28 kW

Pos.	Art.-No	Part	Type, note
		0200710	
001	0020118674	Combustion chamber front panel 24 kw	11/24 kW replaced by 0020118763
001	0020118763	Yanma odasi on saci 24 kw	11/24 kW
001	0020118675	Combustion chamber front panel 28 kw	28 kW
002	0020118709	Screw, 4 x 9.5 (PK10)	
003	0020118688	Insulation plate (front) 24 kw	11/24 kW, front replaced by 0020118765
003	0020118765	Insulation burnerdoor 24kW (PK5)	11/24 ###, front
003	0020118689	Insulation plate (front) 28 kw	28 kW, front
004	0020118677	Combustion chamber side panel (right)	right
005	0020118687	Insulation plate (left / right)	left/right
006	0020118676	Combustion chamber side panel (left)	left
007	0020118690	Insulation plate 24 kw (rear)	11/24 kW, back replaced by 0020118767
007	0020118767	Burning room back isolation plate (PK5)	11/24 kW, back
007	0020118691	Insulation plate 28 kw (rear)	28 kW, back
008	0020118678	Fan hood 24 kW	11/24 kW replaced by 0020119773
008	0020119773	Hood,Atron-Lynx 24 KW	11/24 kW
008	0020118679	Fan hood 28 kW	28 kW
009	0020118664	M4 insert nut hexagon (fan hood)	
010	0020118666	Fan	
011	0020118695	Gasket (fan)	
012	0020118752	Fan diaphragm 24 kW	11/24 kW replaced by 0020119772
012	0020119772	Fan draught diverter (Dia 37)	11/24 kW
012	0020118753	Fan diaphragm 28 kW	28 kW
013	0020118712	Screw (fan) 4x15 tsb	
014	0020118963	Silicon Hose 4x7 L=140mm	replaced by 0020119801
014	0020119801	Silicon Hose 4x7 L=140mm	

08a Hydraulic parts

Lynx HK 11 kW, Lynx HK 24 kW, Lynx HK 28 kW



02-0-08-22.01

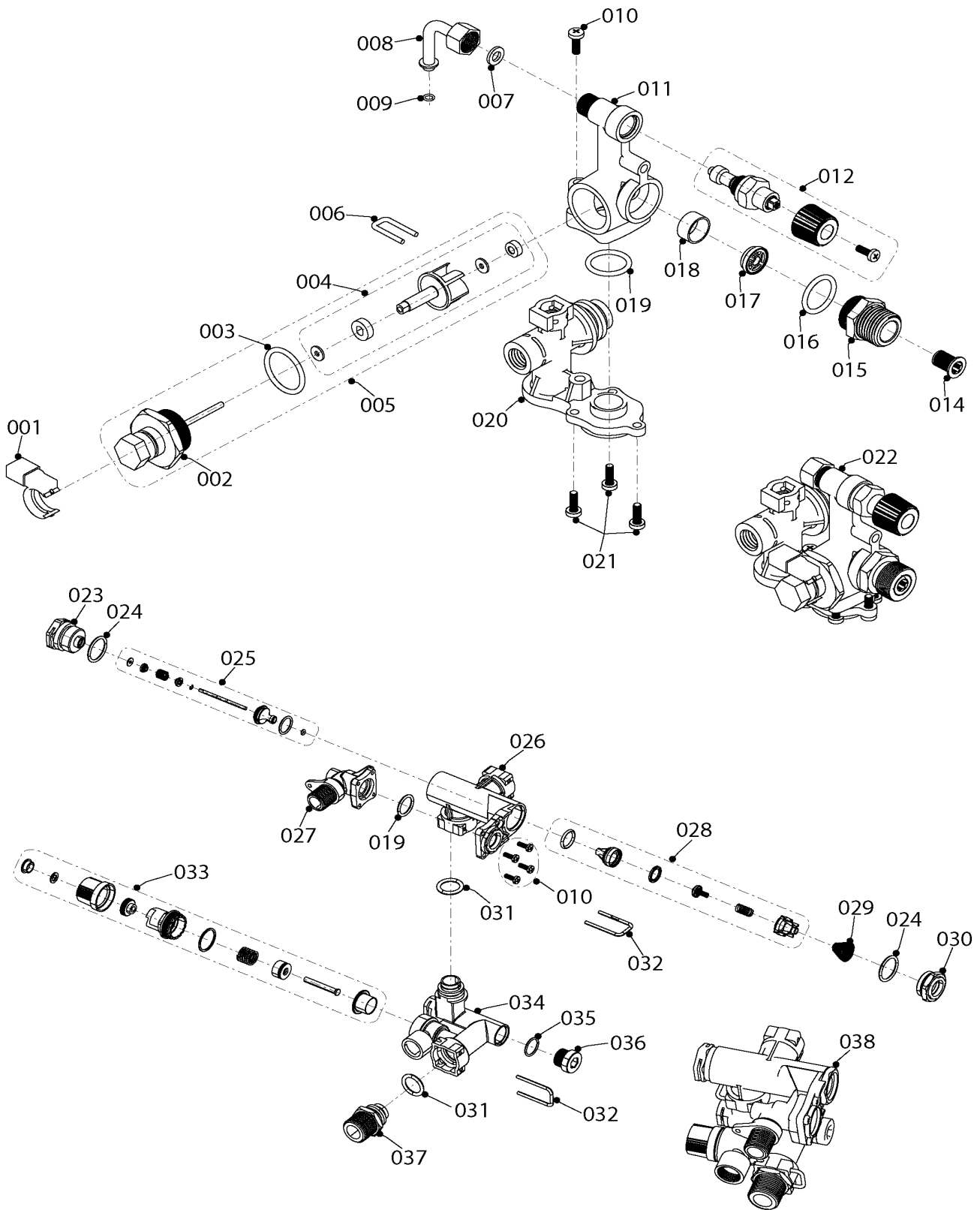
08a Hydraulic parts

Lynx HK 11 kW, Lynx HK 24 kW, Lynx HK 28 kW

Pos.	Art.-No	Part	Type, note
		0200822	
001	0020118680	Expansion vessel	
002	0020118661	Washer rubber for flex hose (PK10)	
003	0020118703	Expansion vessel connection pipe	
004	0020118667	O-ring, pump assembly & cond unit (PK10)	
005	0020118754	Sponge of expansion vessel (inner side)	
005	0020118656	Sponge of expansion vessel (outer side)	
006	0020119605	Heat exchanger, 10 plates, Neva Alfalaval	
006	0020119606	Heat exchanger, 12 plates, Neva Alfalaval	
007	0020118647	Screw M 5 x 20 allen (PK10)	
008	0020118654	O-ring, plate heat exchanger (PK10)	
009	0020119604	Pump, X#nhu Protherm brand GPD 15-55	
010	0020118634	Clip, pump / heat exchanger (PK10)	
011	0020118641	O-ring (PK10)	
012	0020061599	Nipple (3/4)	
013	0020118635	Clip, pump /flow sensor housing (PK10)	
014	0020118699	Hydroblock (cold water block)	replaced by 0020119799
014	0020119799	Cold Water Group, Hydrolics, Atron	
015	0020118669	Hydroblock I pipe clips	
016	0020118672	Gasket-5,28x1,78(fill.valve conn.pipe)	
017	0020118668	Hydroblock I pipe (filling)	
018	0020118670	Gasket-11x6x1,5(fill.valve conn.pipe)	
019	0020118698	Hydroblock (3 way valve block)	
020	0020118732	Clip, (PK10)	
021	0020118705	Clip, pressure sensor	
022	0020118736	Outlet nipple	
023	0020118655	Clip - 3 way valve motor pk10	
024	0020119256	Diverter Valve Motor only	
025	0020118638	Sensor - ntc immersion (-40c to 110c)	
026	0020118704	O-ring, (PK10)	
027	0020118696	Pressure sensor	
028	0020118702	Nut	
029	0020118649	Accessory pipe - 1/2"	1/2"
030	0020118648	Accessory pipe - 3/4"	3/4"
031	0020118624	Gasket - heat exch. outlet pipe (PK10)	
032	0020118627	Gasket (PK10)	

08b Hydraulic parts

Lynx HK 11 kW, Lynx HK 24 kW, Lynx HK 28 kW



02-0-08-23

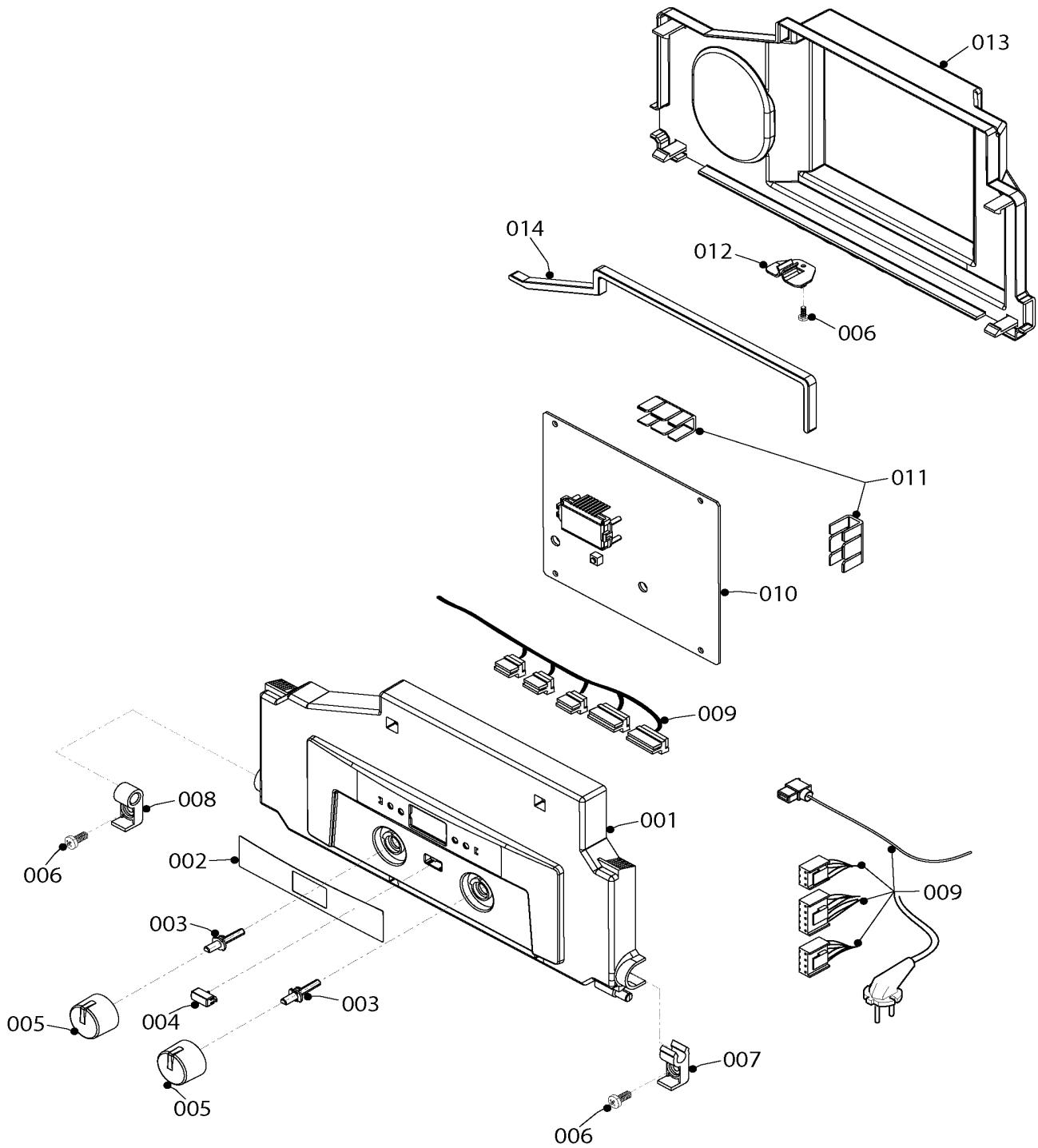
08b Hydraulic parts

Lynx HK 11 kW, Lynx HK 24 kW, Lynx HK 28 kW

Pos.	Art.-No	Part	Type, note
		0200823	
001	0020118650	Flow sensor and cable	
002	0020118717	Cap	
003	0020118718	O-ring - 17.86x2.62 (PK10)	
004	0020118719	Turbine group	
005	0020118662	Impeller kit	
006	0020118669	Hydroblock I pipe clips	
007	0020118670	Gasket-11x6x1,5(fill.valve conn.pipe)	
008	0020118668	Hydroblock I pipe (filling)	
009	0020118672	Gasket-5,28x1,78(fill.valve conn.pipe)	
010	0020118710	Screw, M4 x 8 (PK10)	
011	0020118727	Cold water group bottom brass part	
012	0020118758	Filling valve group (with seal, 2. type)	replaced by 0020119802
012	0020119802	Filling Valve Group, Hydrolics, Atron	
014	0020118726	Inlet filter	
015	0020118725	Water outlet nipple	
016	0020118724	O-ring, 16x2	
017	0020118651	Flow limiter, 12 lt 20 kw - 24 kw (PK10)	
018	0020118723	Ring, plastic	
019	0020118722	O-ring 18.72x2.62 (PK10)	
020	0020118721	Cold water group top plastics part	plastic
021	0020118720	Screw, M4x12 (PK10)	
022	0020118699	Hydroblock (cold water block)	replaced by 0020119799
022	0020119799	Cold Water Group, Hydrolics, Atron	
023	0020118728	Housing - 3wv	
024	0020118729	O-ring 23.81 x 2.62 (PK10)	
025	0020118778	Shaft group 3wv	
026	0020118739	Upper pastic block 3wv	
027	0020118730	Bottom brass connection 3wv	bottom, brass
028	0020118593	By pass group - revision 01	
029	0020118740	By pass spring	
030	0020118735	Rear cover	
031	0020118641	O-ring (PK10)	
032	0020118732	Clip, (PK10)	
033	0020118734	Pressure relief valve - 3 bar	
034	0020118733	Prv block	plastic
035	0020118737	O-ring, 17.17 x 1.78 (PK10)	
036	0020118738	Cap	
037	0020118736	Outlet nipple	
038	0020118698	Hydroblock (3 way valve block)	

12 Control box

Lynx HK 11 kW, Lynx HK 24 kW, Lynx HK 28 kW



02-0-12-04

12 Control box

Lynx HK 11 kW, Lynx HK 24 kW, Lynx HK 28 kW

Pos.	Art.-No	Part	Type, note
		0201204	
001	0020118707	Plastic panel (protherm-kx)	
002	0020118749	Makrofol (black)	
003	0020118643	Spindle white (PK10)	
004	0020118716	Button (protherm-kx combi)	
005	0020118706	Knob (protherm-kx combi) pk10	
006	0020118709	Screw, 4 x 9.5 (PK10)	
007	0020118682	Control panel holder (plastics) - right	right
008	0020118683	Control panel holder (plastics) - left	left
009	0020119603	Harness,Lynx Sigma,Hermetic	
010	0020120239	PCB,Protherm Lynx Sigma (11kw parameter)	11 kW
010	0020119390	Mainboard, Protherm Lynx, sit (v1.8)	24/28 kW
011	0020118713	Cable holder plastics	
012	0020118684	Control panel support (plastics)	plastic
013	0020118777	Plastic cover (rear)	
014	0020118746	Control panel seal	